

circuit diagram

6800 - 7900

Datum	08.12.2011	
Bearb.	R. Schmidt	
Vers.	MS 6800-7900 USA 01/1211	

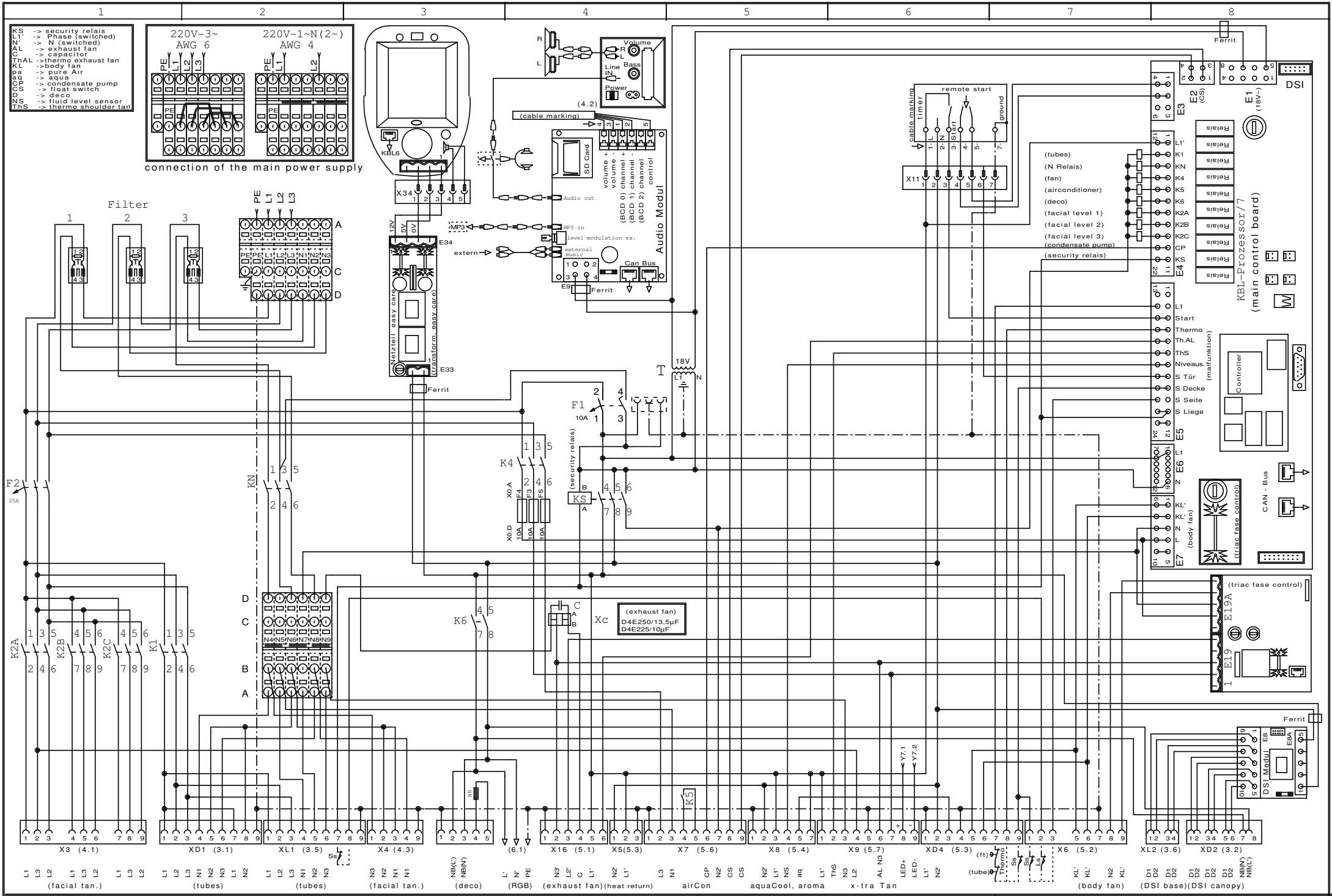
MS 6800-7900 USA



= subject to alterations

+ of

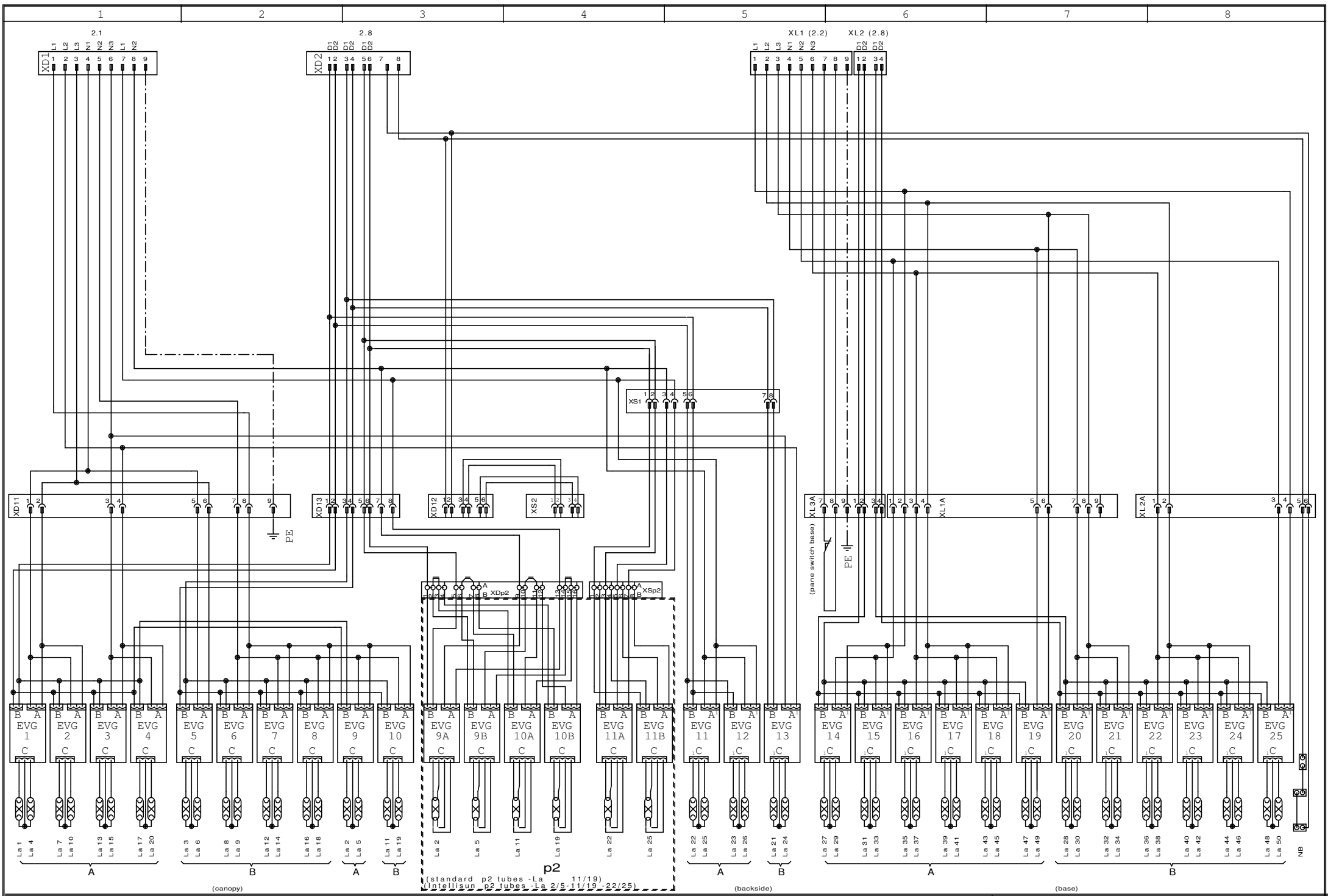
page 1 of 6



Datum	08.12.2011
Bearb.	R. Schmidt
Vers.	MS 6800-7900 USA 01/1211

MS 6800-7900 USA





Datum	08.12.2011
Bearb.	R. Schmidt
Vers.	MS 6800-7900 USA 01/1211

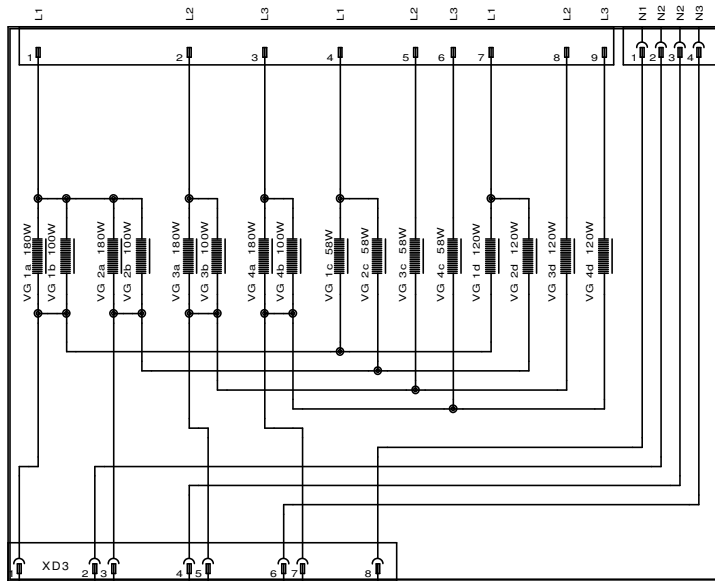
MS 6800-7900 USA



	= subject to alterations
	+ of 6
	page 3 of 6

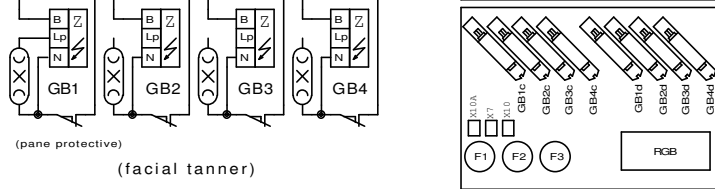
X3 (2.1)

X4 (2.3)

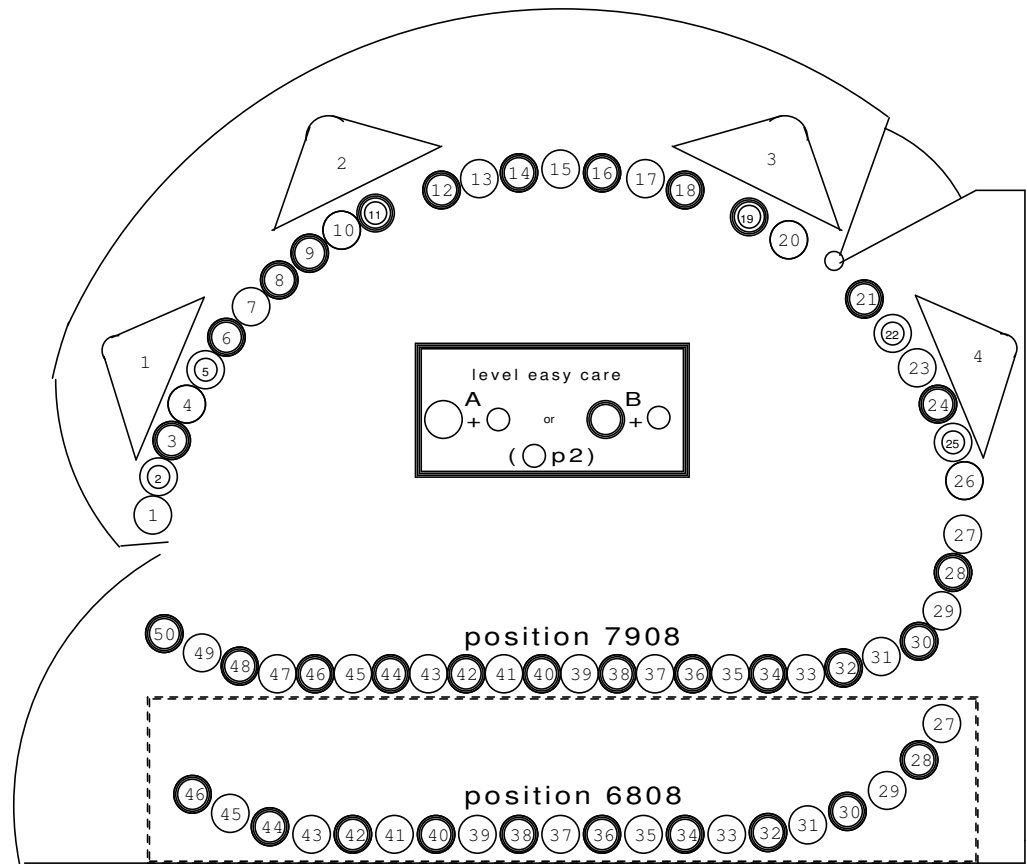


XD3 1 2 3 4 5 6 7 8

XD14 1 2 3 4 5 6



(pane protective)
(facial tanner)



tube / facial tanner position

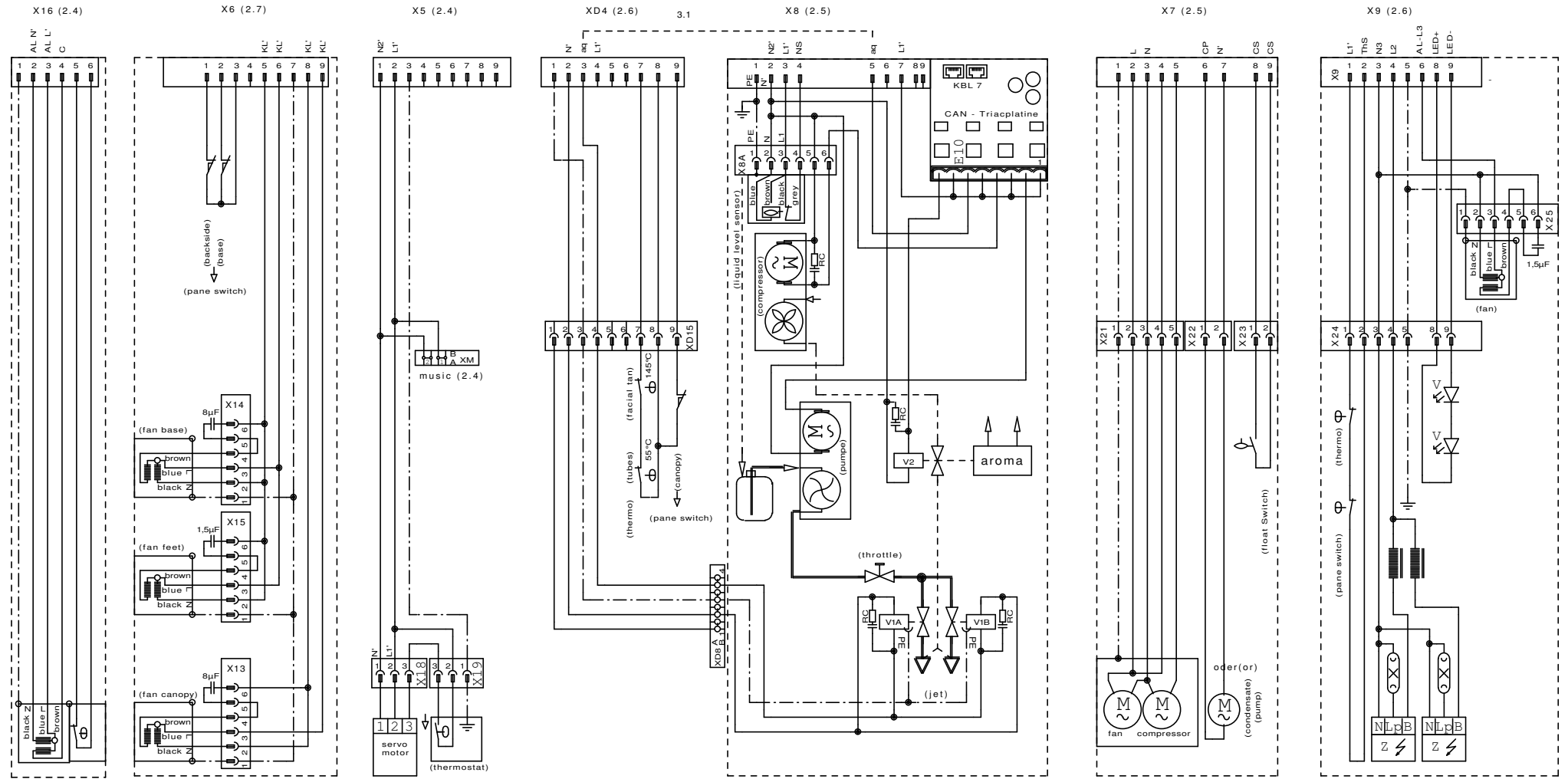
Datum	08.12.2011
Bearb.	R. Schmidt
Vers.	MS 6800-7900 USA 01/1211

MS 6800-7900 USA



	= subject to alterations
	+ of 6
page 4	of 6

- KS -> security relais
- L1' -> Phase (switched)
- AN' -> N (switched)
- AL -> exhaust fan
- CL -> capacitor
- ThAL -> thermo exhaust fan
- KL -> body fan
- pa -> pure Air
- aq -> aqua
- CP -> condensate pump
- CPS -> float switch
- deco -> deco
- NS -> fluid level sensor
- TnS -> thermo shoulder fan

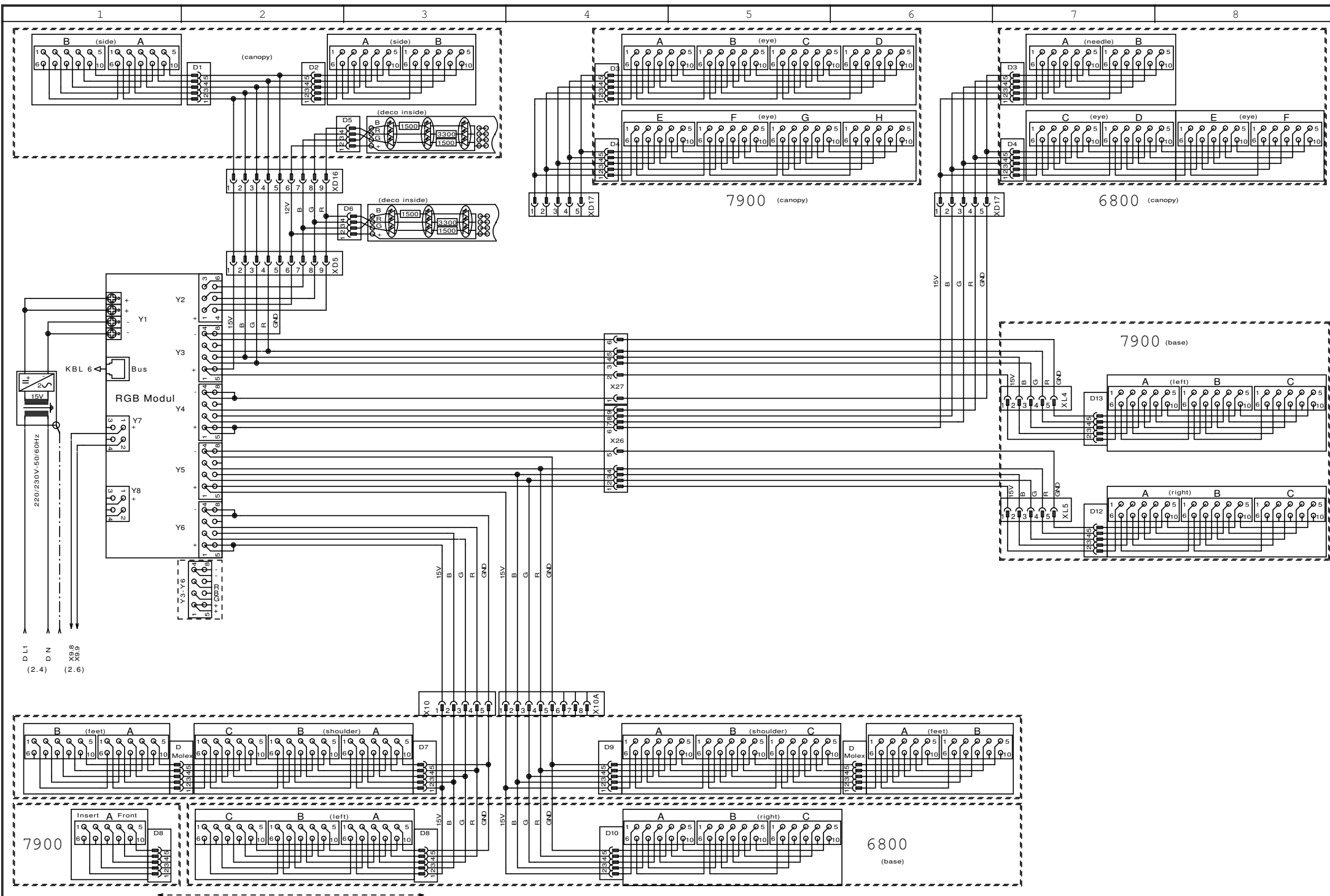


(exhaust fan) (body fan) (with dual speed control) option (heat return) option aqua, aroma option airCon Option x-traTan

Datum	08.12.2011
Bearb.	R. Schmidt
Vers.	MS 6800-7900 USA 01/1211

MS 6800-7900 USA





Datum	08.12.2011
Bearb.	R. Schmidt
Vers.	MS 6800-7900 USA 01/1211

MS 6800-7900 USA



= subject to alterations